

Low Dropout Voltage 300mA CMOS LDO Regulator

CE6219 Series



Introduction

The CE6219 Series are a group of positive voltage regulators manufactured by CMOS technologies with high ripple rejection, extremely low power consumption and low dropout voltage, which provide large output currents even when the difference of the input-output voltage is small. Thus the CE6219 series are very suitable for the battery-powered equipments, such as portable/palm computers, portable consumer equipments, industry equipments and so on, which want to prolong the using life of the battery.

Features

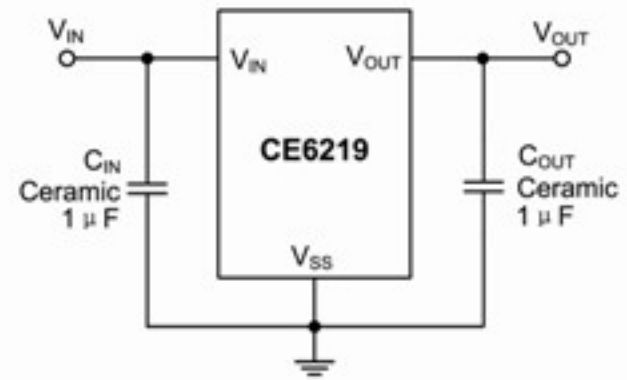
- Output Current: 300mA
- Output Voltage Range: 0.9V ~ 5.0V, (Selectable in 0.1V steps)
- High Accuracy: $\pm 2\%$ (Typ.)
- Low Dropout Voltage: 150mV@100mA (3.0V Typ.)
- Excellent Line Regulation: 0.1%/V
- Built-in Current Limiter
- Built-in Short Circuit Protection
- Ceramic Capacitor Compatible

Ordering Information

CE6219 (1)(2)(3)(4)

DESIGNATOR	SYMBOL	DESCRIPTION
①	P	Standard
②③	Integer	Output Voltage(0.9V-5V) e.g. 3.0V= ② :3, ③ :0
④	M	Package: SOT23-3
	MR	Package: SOT23-5
	P/PT/PW	Package: SOT89-3
	T	Package: TO-92

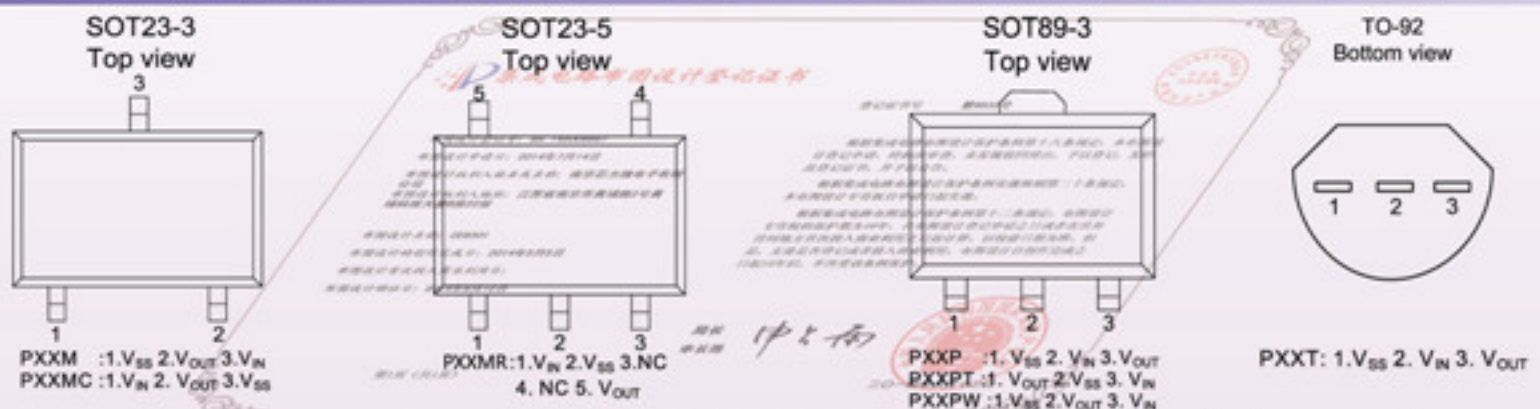
Typical Application Circuits



Applications

- Battery Powered Systems
- Portable Instrumentations
- Radio Control Systems
- Portable Consumer Equipments
- Portable/Palm Computers

CHIPPOWER can provide all series of Power Management ICs, LED drivers, Audio PAs.



For more information, Please contact our Agents or visit our Website: www.chippower.com.cn